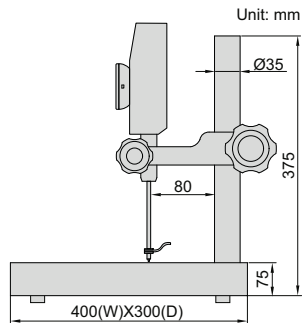
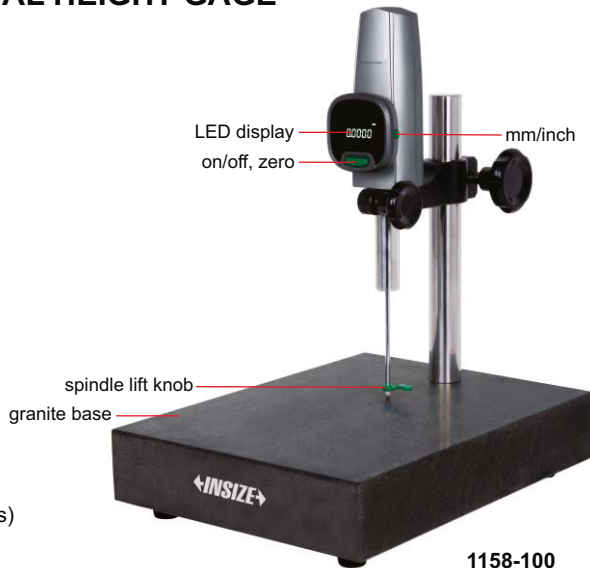


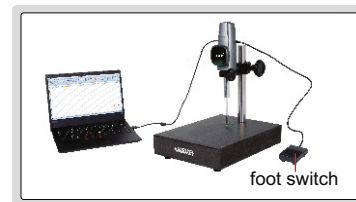
# LARGE RANGE DIGITAL HEIGHT GAGE



- High stability, high precision, high response speed (5000mm/s)
- High brightness LED display
- Granite base flatness: 3µm



power supplied by charge pal



data transmitted to Excel without software; short press the foot switch to transmit data, long press to zero

Code	Range	Resolution	Accuracy (20°C)	Measuring force	Output	Power supply
1158-100	0~100mm	0.1µm/0.000005" (can switch to: 1µm/0.00005")	3µm	0.8~1.2N	USB	5V/1A (adapter or charge pal)

## STANDARD DELIVERY

Main unit	1 pc
-----------	------

## OPTIONAL ACCESSORY

Contact point	code 6282
Charge pal	1155-5-POB
Data output cables (including foot switch)	1155-5-FOS