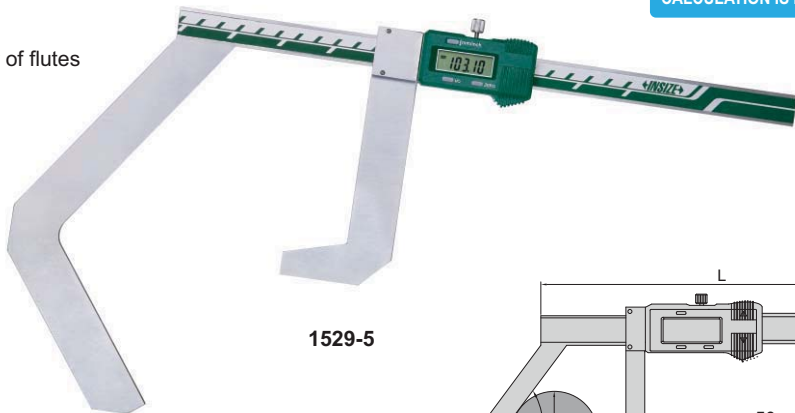


DIGITAL V SHAPE CALIPERS

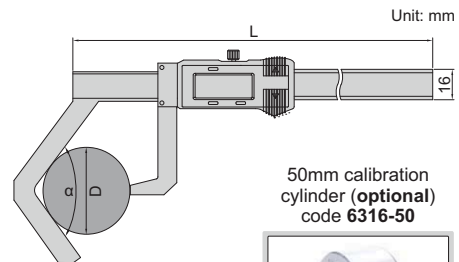
- Measure the outside diameter of odd number of flutes (such as taps, reamers, end mills and gears)
- Direct reading, calculation is not required
- Resolution: 0.01mm/0.0005"
- Buttons: mm/inch, on/off, origin set
- Battery LR44, automatic power off
- After automatic power off, move the digital unit to turn on power
- Data output
- Made of stainless steel
- Optional accessory:
50mm calibration cylinder (code **6316-50**),
data output cable (code **7302-SPC9**)

DIRECT READING,
CALCULATION IS NOT REQUIRED

DATA
OUTPUT



1529-5



50mm calibration
cylinder (optional)
code **6316-50**

data output cable
(optional)
code **7302-SPC9**



Code	Range(D)	Flutes	Accuracy	Angle α	L
1529-3	50-200mm/2-8"	3	$\pm 0.06\text{mm}$	60°	390mm
1529-5	50-200mm/2-8"	5	$\pm 0.06\text{mm}$	108°	318mm
1529-19	50-200mm/2-8"	19	$\pm 0.06\text{mm}$	$85^\circ 15' 47''$	336mm
1529-23	50-200mm/2-8"	23	$\pm 0.06\text{mm}$	$70^\circ 26' 5''$	362mm
1529-31	50-200mm/2-8"	31	$\pm 0.06\text{mm}$	$75^\circ 29' 2''$	355mm