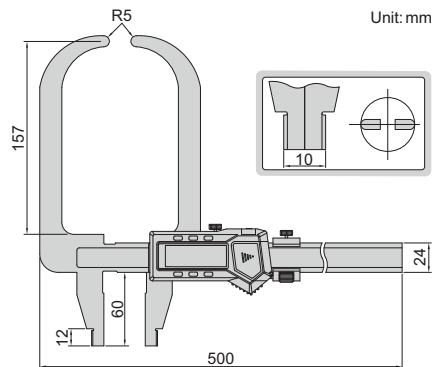


# DIGITAL WALL THICKNESS CALIPERS

DATA  
OUTPUT



1536-300

With data interface (data output cable code 7315-22, 7302-22, optional)

Code	Range	Accuracy
1536-300	0-300mm/0-12"	±0.05mm

Built-in wireless

Code	Range	Accuracy
1536-300WL	0-300mm/0-12"	±0.05mm

- Measure wall thickness of helmets, domes and curved pots
- Resolution: 0.01mm/0.0005"
- Buttons: on/off, zero, mm/inch, ABS, data preset
- Automatic power off, move the digital unit to turn on power
- Battery CR2032
- Made of stainless steel