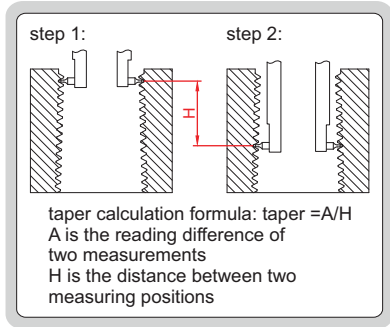


INTERNAL THREAD TAPER MEASURING INSTRUMENTS

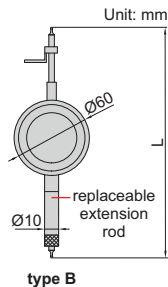
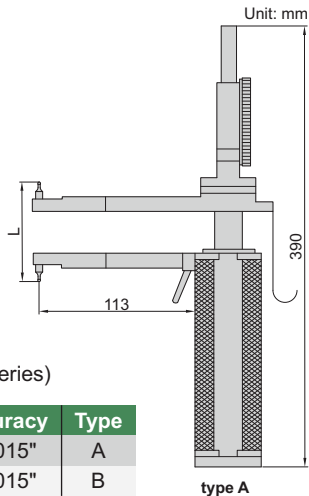
MEET INTERNATIONAL
STANDARD API5B

principle of measurement



- Measure the taper of internal thread
- Dial indicator stroke: 1"
- Dial indicator graduation: 0.001"
- Optional accessory: ball points (code **6252** series)

Code	Range (L)	Accuracy	Type
2231-6	1-6"/25.4-152.4mm	0.0015"	A
2231-16	5 1/2"-16"/139.7-406.4mm	0.0015"	B



2231-6