

# DIGITAL ROLLER THICKNESS GAGES

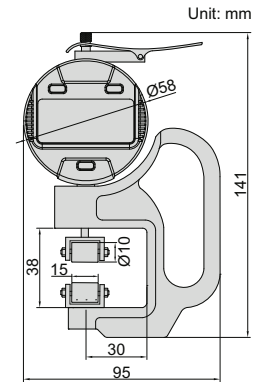
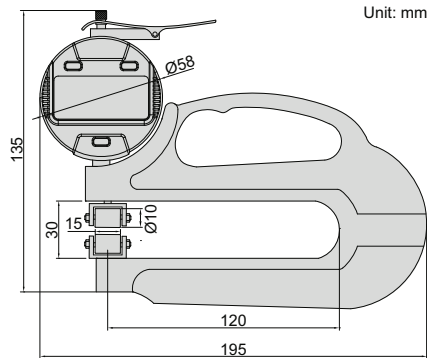
DATA  
OUTPUT



2877-4



2877-10



Code	Range	Resolution	Accuracy
2877-4	0-4.5mm/0-0.18"	0.01mm/0.0005"	±0.02mm
2877-10	0-10mm/0-0.4"	0.01mm/0.0005"	±0.02mm

- Buttons: on/off, inch/mm, zero, data preset, change measuring direction, absolute/incremental measurement
- Keep preset data in memory after restart
- Battery CR2032 , automatic power off
- Data output
- Optional accessory: data output cable (code **7315-50M, 7302-50M**)