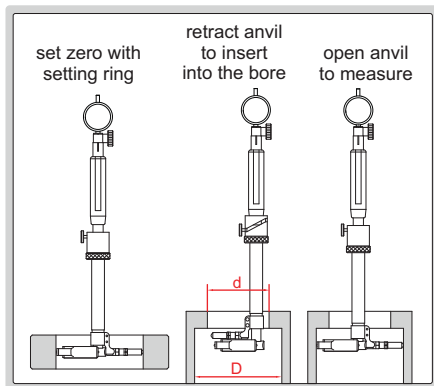




# ROTARY BORE GAGE

**INSIZE PLUS**  
MADE IN EUROPE

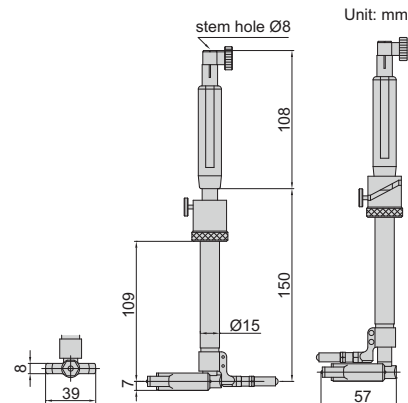


- Rotary anvil, to measure bores with small opening  
D: bore diameter to be measured,  
d: minimum opening diameter (see right drawing)  
d=57mm (D≤95mm)  
d=D-38 (D>95mm)
- Optional accessory:
  - 0.01mm or 0.001mm graduation
  - dial indicator or dial comparator
  - Setting ring (code **6312**)

dial indicator  
is optional



2921-150



Code	Range	Accuracy (without dial indicator)	Repeatability* (without dial indicator)
2921-150	80-150mm	2µm	1µm

\* Repeatability includes the error of rotary anvil