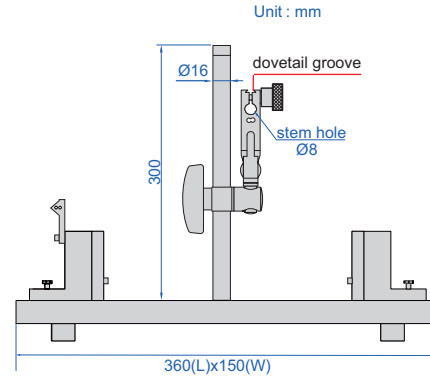
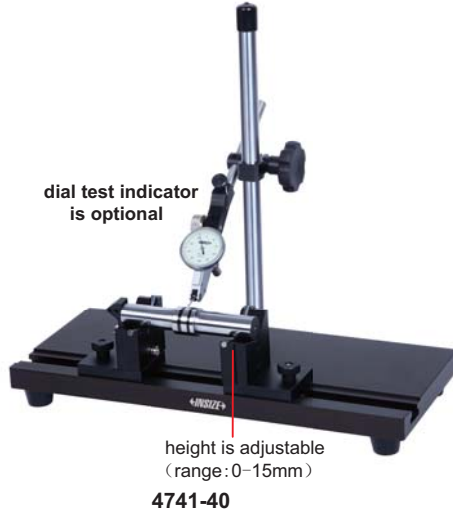


# BENCH CENTER



- Quick positioning, suitable for mass measurement
- Optional accessory: dial test indicators

Code	Diameter range	Workpiece length	Accuracy	Weight
4741-40	Ø3-40mm	15-300mm	2µm	3.8kg