

ATTENTION: RECHARGEABLE BATTERY,
FOR 24 HOURS CONTINUOUS WORKING

DATA
OUTPUT

SMART HIGH PRECISION DIGITAL INDICATORS

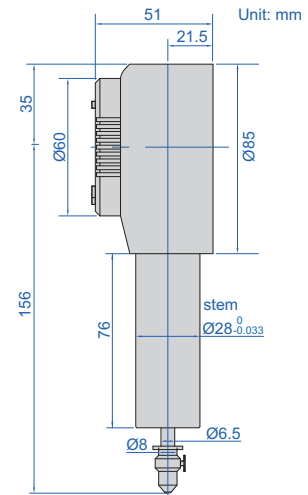
THE MEASURING TIME PERIOD CAN BE SET (0-99S IS ADJUSTABLE),
THE MAX./MIN./TIR/AVG. CAN BE MEASURED AUTOMATICALLY DURING THIS PERIOD,
AND THE DATA CAN BE TRANSMITTED AUTOMATICALLY AFTER MEASUREMENT

PRESS BUTTON OR PROBE MOVEMENT CAN START AUTOMATIC MEASUREMENT,
THE MEASUREMENT CAN BE DELAYED (0-99S IS ADJUSTABLE)

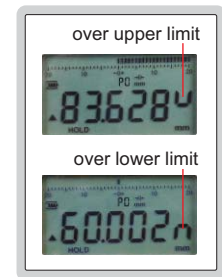
- Linear ball bearings for ten million times use
- Ø28mm stem suitable for reinforced clamping
- Absolute encoder, the original data remains after power off
- Adjustable resolution: 0.0001mm/0.00001"
0.001mm/0.00005"
0.01mm/0.0005"
- Reading in digital and analog
- The measuring time period can be set (0-99s is adjustable),
the max./min./tir/avg. can be measured automatically during this period,
and the data can be transmitted automatically after measurement
- Press button or probe movement can start automatic measurement,
the measurement can be delayed (0-99s is adjustable)
- Button function: on/off, adjust resolution, data hold, data output,
max./min./TIR/avg., data preset, tolerance, mm/inch, automatic
power off, measuring direction change, delay setting,
measuring time setting
- Power: rechargeable Li-battery, for 24 hours continuous working
- Ruby probe



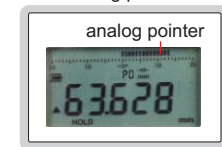
2150-5A



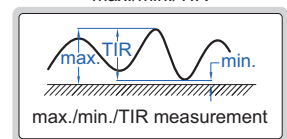
alarm when
over tolerance



analog pointer



max./min./TIR



wireless receiver

2134-R1, 2134-R2 (optional)



With data interface

Optional accessory:

wireless transmitter, code **7315-60** page

data output cable (keyboard format), code **7302-60** page

data output cable (serial port format), code **7305-G60** page

(cable length 3m, optional cable length maximum 15m; RS232 protocol,
optional RS485 protocol)

Code	Range	Accuracy	Hysteresis	Remark
2150-5A	0-5mm/0-0.2"	0.5µm	0.3µm	probe movement starts measurement
2150-5B	0-5mm/0-0.2"	0.5µm	0.3µm	press button starts measurement

Built-in wireless

Optional accessory:

wireless receiver (keyboard format, connect up to 15 digital indicators), code **2134-R1**

wireless receiver (serial port format, connect up to 15 digital indicators), code **2134-R2**

Code	Range	Accuracy	Hysteresis	Remark
2150-5AWL*	0-5mm/0-0.2"	0.5µm	0.3µm	probe movement starts measurement
2150-5BWL*	0-5mm/0-0.2"	0.5µm	0.3µm	press button starts measurement

* Continuous data collection can be customized (press "DATA" button to start continuous collection, press again to stop; collection frequency can be customized, the fastest data collection is 10 pcs per second)